

Carrier frame and support rail shown on page 30

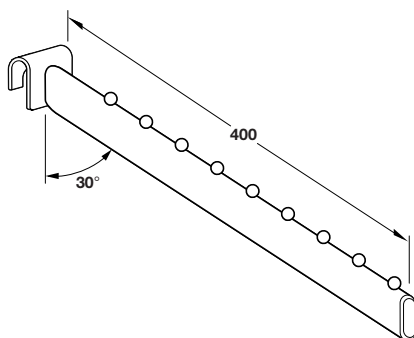


A Removable inclined clothes hanger rail

- For hanging onto the support rail or carrier frame
- Steel

Finish	Cat. No.
Chrome plated	772.54.240

Order qty: 1 pc



Discontinued ●

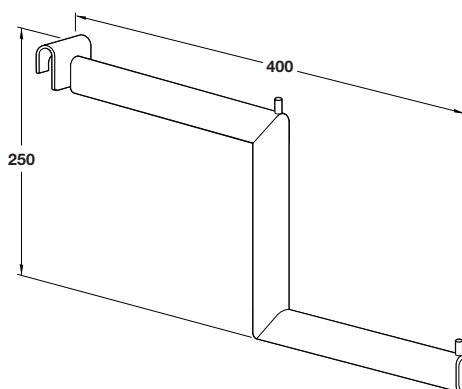
Discontinued when stock = 0 +

C Carrier arm, stepped

- For hanging onto the support rail or carrier frame
- Steel

Finish	Cat. No.
Chrome plated	● 772.54.242

Order qty: 1 pc

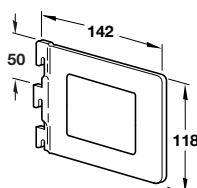


D Book bracket

- For use as a book end
- For hanging on channels and columns
- Plastic coated steel

Finish	White (RAL 9003)	Silver coloured (RAL 9006)
Cat. No.	772.81.040	-

Order qty: 1 set (4 pcs)



Dimensions in mm

We reserve the right to alter specifications without notice.