



Unless otherwise indicated fixing screws are not included and must be ordered separately. The logo shown indicates the type of screw required; fixing screws are shown on page 117.

**Discontinued** •

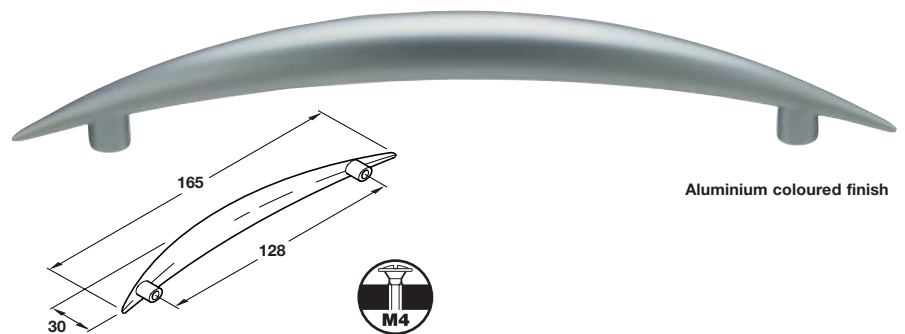
**Discontinued when stock = 0** +

### C Bow handle, 128 mm hole centres

- Zinc alloy

Finish	Cat. No.
Matt nickel	+ <del>105.65.602</del>
Aluminium coloured	+ <del>105.65.402</del>

Order qty: 1 pc



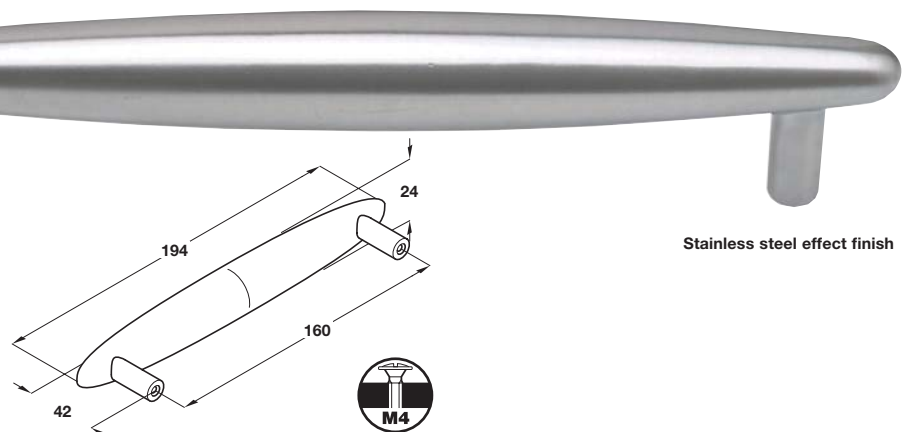
Aluminium coloured finish

### D Bar handle, 160 mm hole centres

- Zinc alloy

Finish	Cat. No.
Stainless steel effect	115.17.601
Polished chrome	115.17.201

Order qty: 1 pc



Stainless steel effect finish

Dimensions in mm

We reserve the right to alter specifications without notice.