

For suitable glazing tapes and aperture liners see page 168

**Discontinued** ●

**Discontinued when stock = 0** +

Glass available to order only

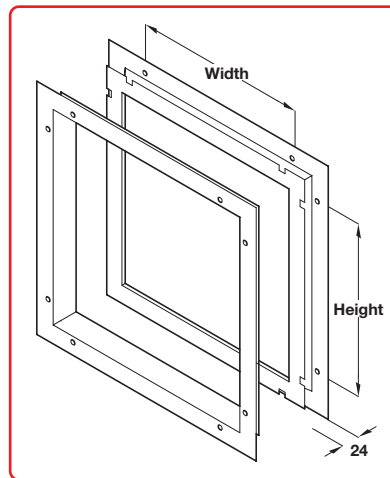
### A Low profile metal vision frames, square

- Flush to door lock
- 44 mm sheet metal screws from inside only
- To suit doors 44 - 46 mm thick
- To suit glass thickness of 6 mm as standard
- Fire tested to 4 hrs on steel and 1 hr on timber doors
- Galvanized grey primed steel

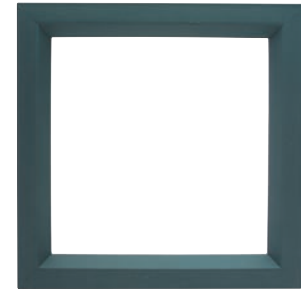
Size (width x height door cut out)	Cat. No.
305 x 305 mm	959.17.009
457 x 457 mm	959.17.019
610 x 610 mm	● 959.17.029

Packing: 1 pc

**Item A.**  
Catalogue shows 330 mm x 330 mm  
Correct dimension is 305 mm x 305 mm



**Item A.**  
Drawing amended



### B Low profile metal vision frames, rectangular

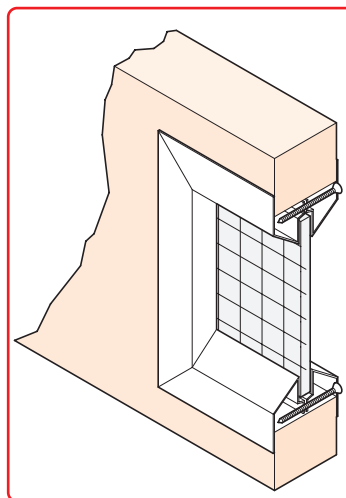
- Flush to door lock
- 44 mm sheet metal screws from inside only
- To suit doors 44 - 46 mm thick
- To suit glass thickness of 6 mm as standard
- Fire tested to 4 hrs on steel and 1 hr on timber doors
- Galvanized grey primed steel

Size (height x width door cut out)	Cat. No.
203 x 762 mm	959.17.039
254 x 559 mm	959.17.049
305 x 762 mm	959.17.059

Packing: 1 pc

**Item B.**  
Catalogue shows...  
'(width x height door cut out'  
Correct text is 'height x width  
door cut out'

**Item B.**  
drawing amended



**Item B.**  
drawing added

