



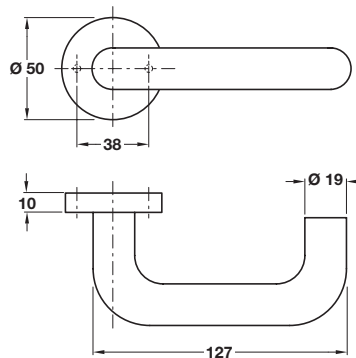
Discontinued •
Discontinued when stock = 0 +

A Ø 19 mm safety lever handle

- Pair of lever handles on concealed fixing roses
- 8 mm square spindle
- **Sprung**, for use with **standard duty** followers
- Bolt through fixing screws included
- To suit doors **42-54 mm** thick
- PSA approved
- Aluminium
- Matching escutcheons available, see page 179

Finish	Cat. No.
Polished anodised	904.20.820

Packing: 1 pair **Re-instated**



Polished anodised finish



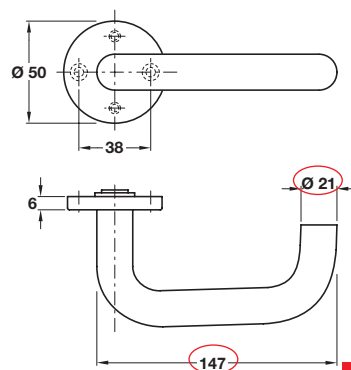
Item B.
 Text amended. Catalogue shows 'polished finish' correct description is 'polished anodised finish'

B Fiscal Ø 19 mm safety lever handle

- Pair of lever handles on concealed fixing roses
- 8 mm square spindle
- **Unsprung**, for use with **heavy duty** followers
- Bolt through fixing screws included
- To suit doors up to **50 mm** thick
- Aluminium
- Matching escutcheons available, see page 180

Finish	Cat. No.
Polished anodised	+ 904.20.871

Packing: 1 pair



Polished anodised finish



Discontinued when stock=0
 For 904.20.871 use alt. no. 904.21.511

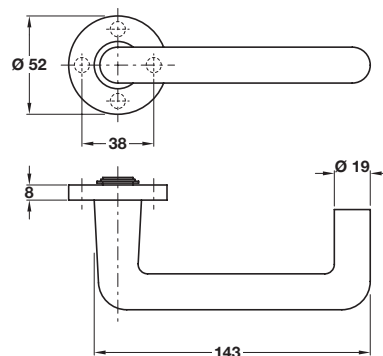
Item B.
 Catalogue shows Ø 19 mm and 138 mm
 Correct dimensions are Ø 21 mm and 147 mm

C Ø 19 mm safety lever handle

- Pair of lever handles on concealed fixing roses
- Grub screw fixing on 8 mm special square spindle
- **Sprung**, for use with **standard duty** followers
- Bolt through fixing screws included
- To suit doors up to **44 mm** thick
- Aluminium
- Matching escutcheons available, see page 181

Finish	Cat. No.
Matt anodised aluminium	904.20.441

Packing: 1 pair



Matt anodised aluminium finish

