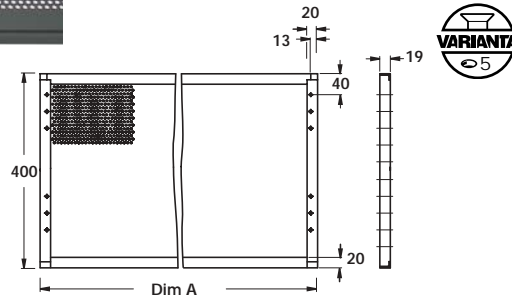
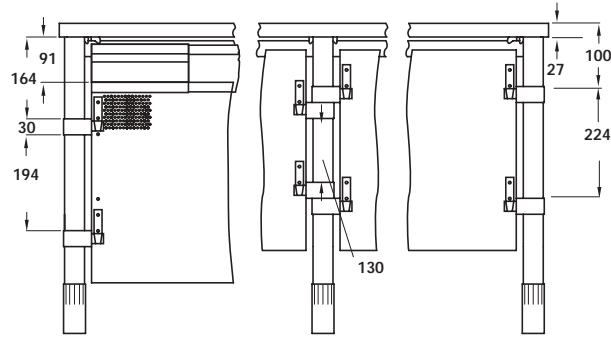
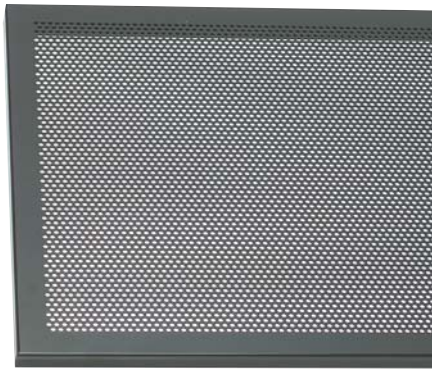


Dimensions in mm



- **A** Modesty panel, perforated hole design
- With bevelled strengthened frame
- Black plastic coated steel with pre-drilled holes for KEKU suspension fittings
- For panel to leg fittings, please refer to items **B** and **C** shown below

A Modesty panel, perforated hole design

Table edge length	Dim A	Cat.No.
600 mm	434 mm	● 654.80.306
800 mm	634 mm	● 654.80.308
1000 mm	834 mm	● 654.80.310
1200 mm	1034 mm	● 654.80.312
1600 mm	1434 mm	● 654.80.316
1800 mm	1634 mm	● 654.80.318
2000 mm	1834 mm	● 654.80.320
2400 mm	2234 mm	● 654.80.324

Packing: 1 pc

Discontinued ●
Discontinued when stock = 0 +