

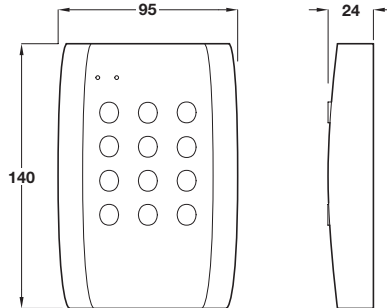
2

A VCODE 100 electronic keypad

- Stand alone keypad for internal or external, domestic or commercial applications
- For one or two doors
- Surface mounted
- Operating voltage: 12 to 24V AC or DC
Power supply must be ordered separately
- Cable, 3 m length, included
- With 2x 5 amp door relay outputs
- Vandal resistant
- Backlit keypad - blue numeric illumination
- Fully programmable via keypad:
4, 5 or 6 digit access codes
100 user codes
high security mode
free entry option
- N/O (normally open contact) or N/C (normally closed contact) - latch or timed option
- IP 65 rated
- Zamak body and steel buttons

Cat. No. 912.02.059

Order qty: 1 pc



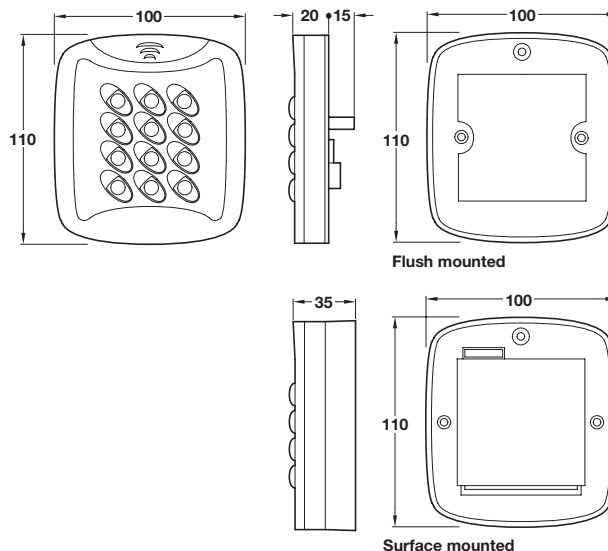
- **Electronic keypads**
- Ideal for internal or external applications, for domestic or commercial use
- **Order separately:** Door release button, door contacts, power supply unit (battery option), electric strike, buzzer, shown in Sections 6 and 7

B ACT 5 electronic keypad

- Stand alone keypad for internal or external, domestic or commercial applications
- For one door
- Choice of mounting plates included, for flush or surface mounting
- Fits standard single gang electrical back box
- Operating voltage: 12 to 24V AC or DC
Power supply must be ordered separately
- Cable, 3 m length, included
- 5 amp door relay output
- Fully programmable by keypad:
6 digit access codes
10 user codes
Incorrect code lockout
- IP 67 rated
- Grey polycarbonate housing, stainless steel keys

Cat. No. 912.02.058

Order qty: 1 pc

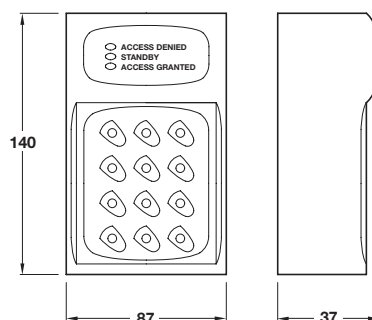


C ACT 10 electronic keypad

- Stand alone keypad for internal or external, domestic or commercial applications
- For one or two doors
- Surface mounted
- Operating voltage: 12 to 24V AC or DC
Power supply must be ordered separately
- Cable, 3 m length, included
- 2x 5 amp door relay outputs, 2 electronic outputs and 3 inputs
- Vandal resistant
- Backlit keypad, permanent or automatic
- Fully programmable by keypad:
6 digit access codes
10 user codes, 2 user groups
Two door interlock
Fire alarm input
Door monitoring; door forced alarm, door ajar alarm, guest alarm
Incorrect code lockout
- IP 55 rated
- Zinc alloy housing, stainless steel keys
- **Note:** Plate for flush mounting or weather shield available separately - information on request

Cat. No. 912.02.013

Order qty: 1 pc



AI SC 2007, HUK. Dimensional data not binding. We reserve the right to alter specifications without notice.