

### A KG-S door seal

- **Suitable for retrofitting on glass doors**
- Unilateral release with parallel drop-down and automatic compensation in case of an inclined floor. Including covering plate on lock side (for double wing/folding doors). Comprises protection profile, seal profile and covering plate on lock side (for double wing/folding doors).

#### • Main features

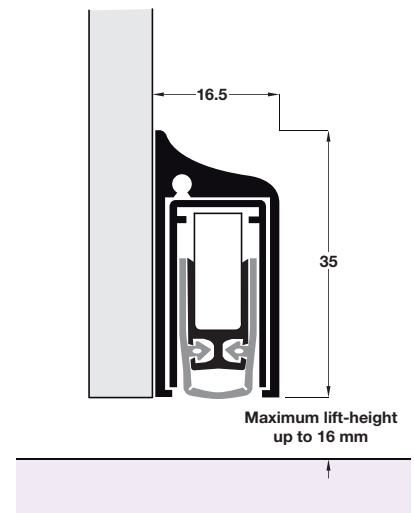
- Lift height 16 mm
- To be fixed with UV cement or double adhesive tape, not supplied
- Planet drop-down seal cemented in the S protection profile
- Planet KG-S with UV cement on lower glass edge (building side)
- Unilateral release with parallel drop-down
- Automatic compensation to inclined floors
- Acoustic isolation of 48dB (at 7 mm clearance from door to floor)
- Can be shortened by 125 mm maximum
- High-grade silicone lip, simple lift height adjustment

#### • Technical specification

- Protection profile material: Aluminium, 16.5 x 35 mm, colourless EV1 anodised matt finish
- Seal profile: High-grade silicone or high-grade self-extinguishing silicone
- Seal height: Up to 16 mm
- Sound absorption value: 48dB at 7 mm clearance from door to floor 46dB at 14 mm clearance from door to floor
- Lift height adjustment: On the release knob with an Allen key 3 mm
- Special lengths available on request up to 2000 mm, sliding doors up to 1600 mm
- Release: Unilaterally on hinge side
- Can be shortened: Up to 125 mm
- **Stopping plate** is needed when glass doors are used with timber frames - stainless steel, 20 x 20 mm, must be ordered separately

Length	Cat. No.
709 mm	950.10.121
959 mm	950.10.123
1209 mm	950.10.125
Stopping plate	950.10.190

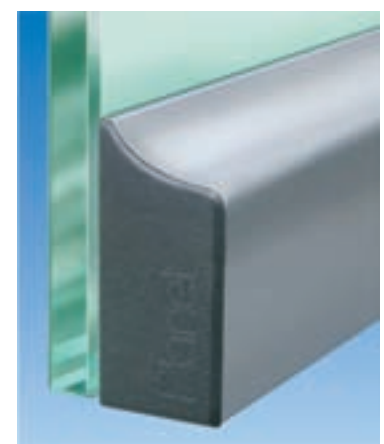
Order qty: 1 pc



Hinge end



Lock end



Cover for lock end (supplied)