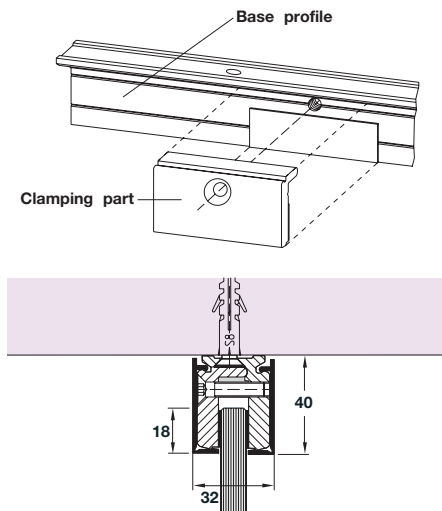


Glass Fittings Wall Connecting Profile System

• Application:

- All around frame system for toughened glass assemblies, with fittings on sides, ceiling and base.
- A **safety type version** enables free hanging glass elements by fixing the clamping fitting through glass holes, and also negates the need for securing to the wall and base. For more information on this and for 12.7, 13.5, 15, 17 and 19 mm glass thicknesses, please contact the AI department for more information



A Wall connecting profile

- Secures to the ceiling, floor and wall
- For 8, 10 and 12 mm glass thickness
- Set consists of:
 - 1 x Aluminium profile
 - 10 x Aluminium clamps
- Fixings included

For glass thickness	Cat. No.
8 mm	981.36.393
10 mm	981.36.403
12 mm	981.36.413

Order qty: 1 pc (1 pc = 3m length)

Clamps are available for glass thickness up to 19 mm - Please contact the AI department for more information

B Clip on cover profile

- To cover the profile
- Satin stainless steel

Cat. No.	981.36.423
----------	------------

Order qty: 1 pc (1 pc = 3 m length)

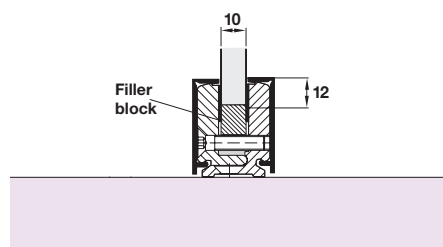


C Filler block, 10 x 12 mm

- For use at the base to prevent glass to metal contact
- Aluminium

Cat. No.	981.36.433
----------	------------

Order qty: 1 pc (1 pc = 3 m length)



D End caps

- 2 sizes for 8/10 or 12 mm glass thickness
- Satin stainless steel

For glass thickness	Cat. No.
8/10 mm	981.36.440
12 mm	981.36.442

Order qty: Multiples of 2 pcs

