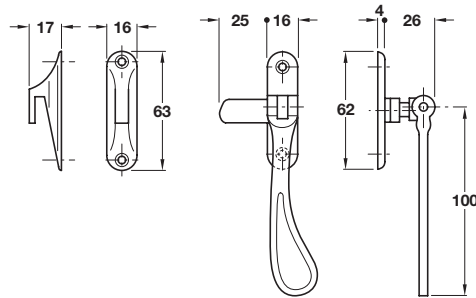


## A Casement fastener, hook plate

- Reversible
- Hook plate included
- Designed for use with flush frames or double windows
- For matching stay, see item **D**
- Fixing screws included
- Brass

Finish	Cat. No.
Satin nickel	970.02.426
Polished chrome	970.02.422
Polished brass	970.02.428

Order qty: 1 pc



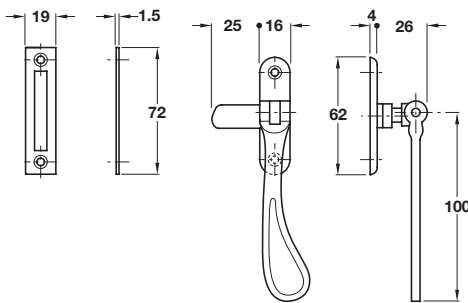
Satin nickel finish shown

## B Casement fastener, mortice plate

- Reversible
- Mortice plate included
- Designed for use with standard rebated frames
- For matching stay, see item **D**
- Fixing screws included
- Brass

Finish	Cat. No.
Satin nickel	970.02.436
Polished chrome	970.02.432
Polished brass	970.02.438

Order qty: 1 pc



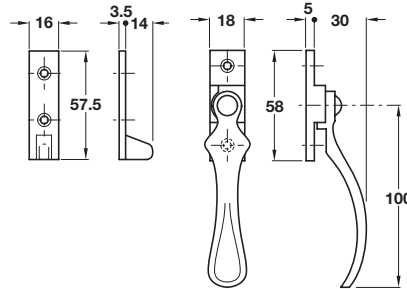
Polished brass finish shown

## C Casement fastener, wedge plate

- Unhanded
- Wedge plate included
- Designed for use with standard rebated frames
- For matching stay, see item **D**
- Fixing screws included
- Brass

Finish	Cat. No.
Satin nickel	970.02.446
Polished chrome	970.02.442
Polished brass	970.02.448

Order qty: 1 pc



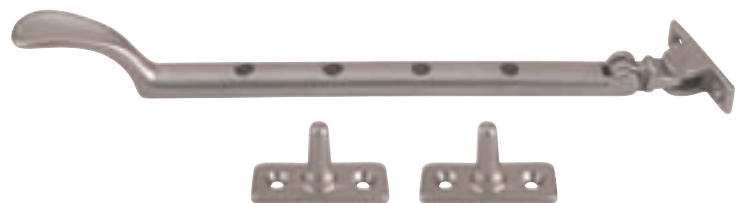
Satin nickel finish shown

## D Casement stay

- Available in 3 sizes
- Two standard pins included
- For matching fastener, see item **A, B** or **C**
- Fixing screws included
- Brass

Length	203 mm	254 mm	305 mm
Satin nickel	970.02.556	970.02.566	970.02.576
Polished chrome	970.02.552	970.02.562	970.02.572
Polished brass	970.02.558	970.02.568	970.02.578

Order qty: 1 pc



Satin nickel finish, 305 mm length shown

