

A Casement fastener, hook plate

- Handed
- Hook plate included
- Designed for use with flush frames or double windows
- Locking and non-locking versions
- Nickel plated key included with each fastener
- For matching stay, see item **C**
- Fixing screws included
- Brass

Locking version

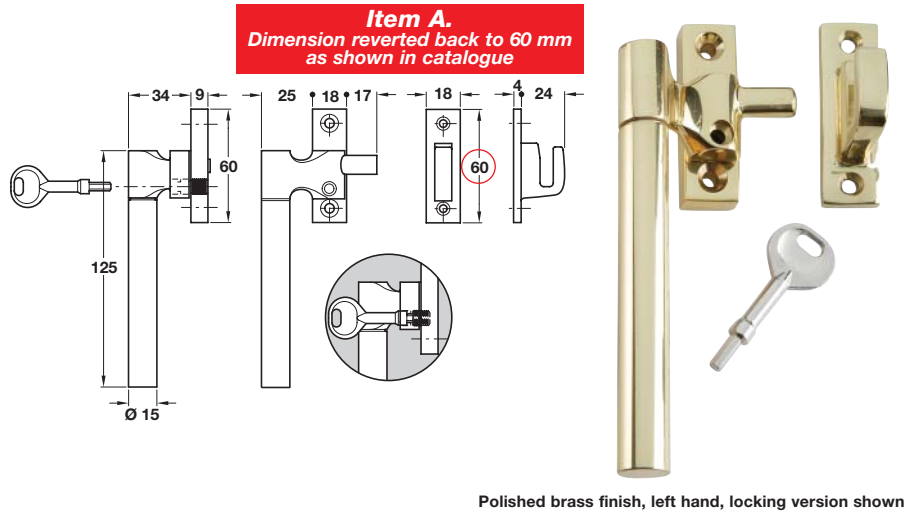
Finish	Left hand	Right hand
Satin nickel	970.03.206	970.03.216
Polished chrome	970.03.202	970.03.212
Polished brass	970.03.208	970.03.218

Order qty: 1 pc

Non locking version

Finish	Left hand	Right hand
Satin nickel	970.03.226	970.03.236
Polished chrome	970.03.222	970.03.232
Polished brass	970.03.228	970.03.238

Order qty: 1 pc



B Casement fastener, mortice plate

- Handed
- Mortice plate included
- Designed for use with standard rebated frames
- Locking and non-locking versions
- Nickel plated key included with each fastener
- For matching stay, see item **C**
- Fixing screws included
- Brass

Locking version

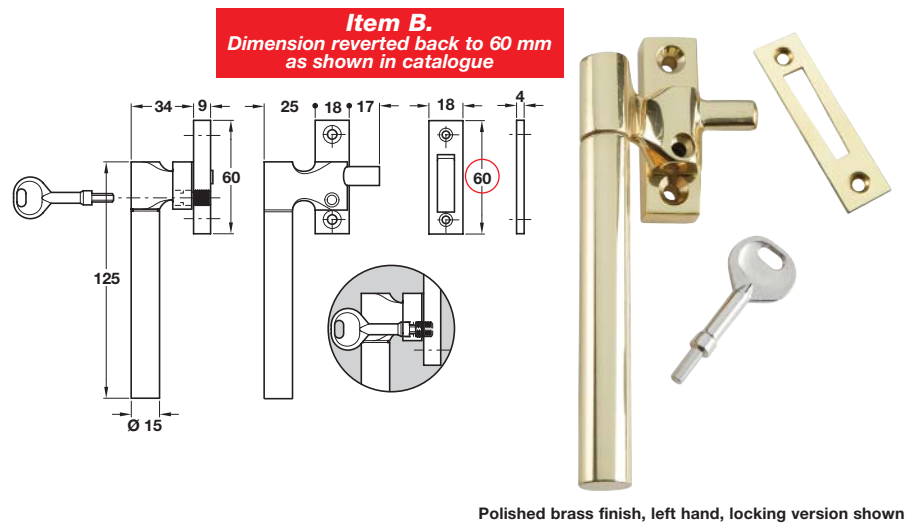
Finish	Left hand	Right hand
Satin nickel	970.03.246	970.03.256
Polished chrome	970.03.242	970.03.252
Polished brass	970.03.248	970.03.258

Order qty: 1 pc

Non locking version

Finish	Left hand	Right hand
Satin nickel	970.03.266	970.03.276
Polished chrome	970.03.262	970.03.272
Polished brass	970.03.268	970.03.278

Order qty: 1 pc



7



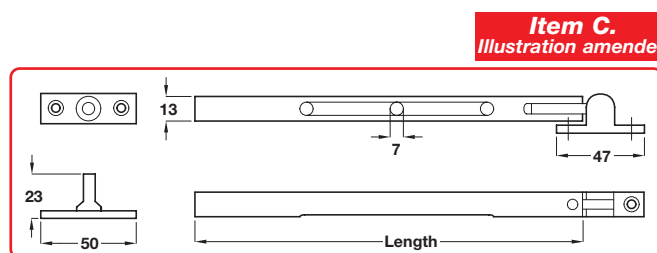
Polished chrome finish, 203 mm length shown

C Casement stay

- Available in three sizes
- Two standard pins included
- Concealed position holes
- For matching fastener, see item **A** or **B**
- Fixing screws included
- Brass

Length	203 mm	254 mm	305 mm
Satin nickel	970.00.606	970.00.616	970.00.626
Polished chrome	970.00.602	970.00.612	970.00.622
Polished brass	970.00.608	970.00.618	970.00.628

Order qty: 1 pc



TCH-A1 2008, HUK. Dimensional data not binding. We reserve the right to alter specifications without notice.