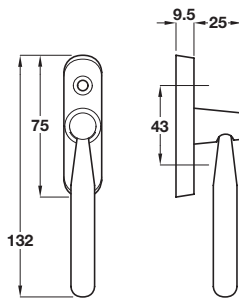


A Anti-ligature window handle

- Designed for use with espagollette bolts, see Section 7
- Tamper proof fixings included
- Stainless steel, grade 316

Finish	Cat. No.
Satin stainless steel	902.30.380

Order qty: 1 pc

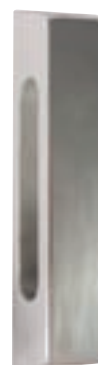
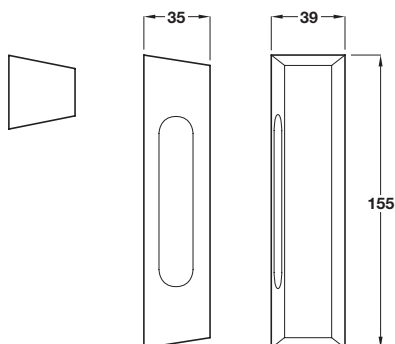


B Anti-ligature window pull

- Inset handle hole on one side only
- Concealed fixing
- Tamper proof fixings included
- Stainless steel, grade 316 or aluminium

Finish	Cat. No.
Satin stainless steel	902.30.382
Satin anodised aluminium	904.30.861

Order qty: 1 pc

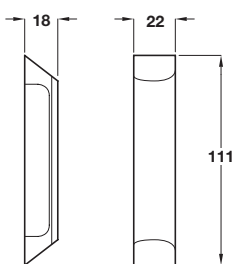


C Anti-ligature window pull

- Inset handle hole on one side only
- Concealed fixing
- Tamper proof fixings included
- Stainless steel, grade 316 or aluminium

Finish	Cat. No.
Satin stainless steel	902.30.384
Satin anodised aluminium	904.30.871

Order qty: 1 pc

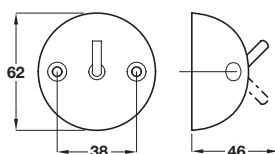


D Anti-ligature coat hook

- Designed to discourage the attachment of ligatures
- Will only support the weight of an average overcoat
- Adjustable spring weight
- Tamper proof fixings included
- Stainless steel, grade 316 or aluminium

Finish	Cat. No.
Satin stainless steel	844.75.000
Satin anodised aluminium	844.75.900

Order qty: 1 pc



5