

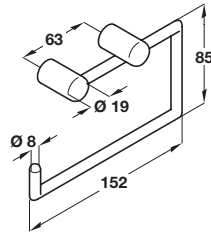
***Plated finishes** go through a series of polishing processes before they have a substrate of copper and then nickel applied to the surface. This process can involve up to 28 different stages to produce the recognised finish required.

A Toilet roll holder

- Can be mounted left or right handed
- Fixings included
- Brass

Finish*	Cat. No.
Polished chrome plated	980.12.212

Order qty: 1 pc

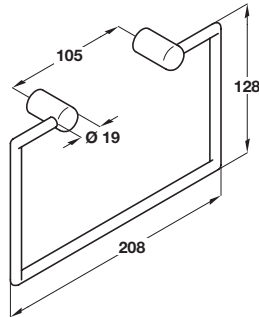


B Towel ring

- Fixings included
- Brass

Finish*	Cat. No.
Polished chrome plated	980.12.222

Order qty: 1 pc

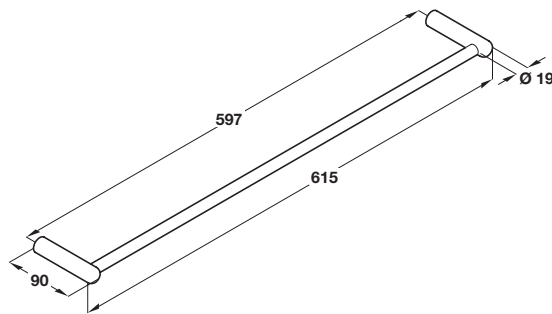


C Single towel rail

- Fixings included
- Brass

Finish*	Cat. No.
Polished chrome plated	980.12.232

Order qty: 1 pc

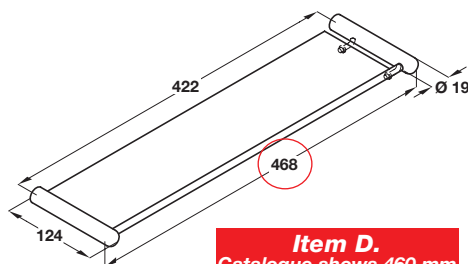


D Glass shelf

- Fixings included
- Brass, frosted toughened glass

Finish*	Cat. No.
Polished chrome plated	980.12.242

Order qty: 1 pc



Item D.
 Catalogue shows 460 mm
 Correct dimension is
 468 mm



5

26.08.08/1*