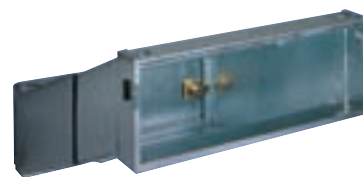
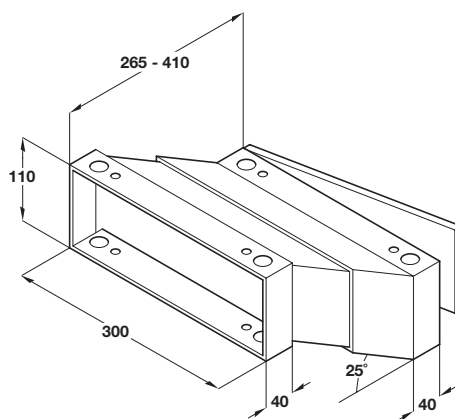


A Through wall extendable casing

- Extendable depth 265-410 mm
- Complete with locking retrieval door
- For use with item **B**
- Mild steel

Finish	Cat. No.
Galvanized	980.17.059

Order quantity: 1 pc



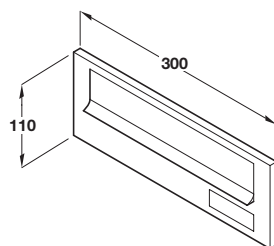
4

B Front panel

- Slot flap, 265 x 33 mm aperture
- Flush screw fixing to item **A**
- Nameplate slot included
- Fixings included
- Aluminium, powder coated steel or stainless steel

Finish	Cat. No.
Silver anodised aluminium	980.17.069
White powder coated steel	980.17.067
Grey powder coated steel	980.17.065
Satin stainless steel	980.17.070

Order quantity: 1 pc

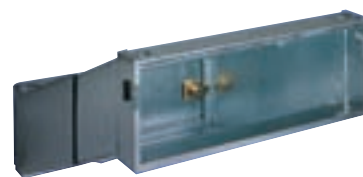
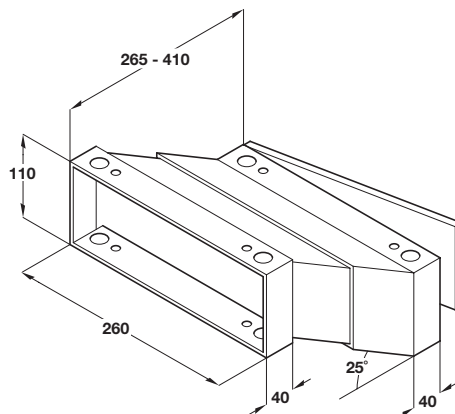


C Through wall extendable casing

- Extendable depth 265-410 mm
- Complete with locking retrieval door
- For use with item **D**
- Mild steel

Finish	Cat. No.
Galvanized	980.17.119

Order quantity: 1 pc



D Front panel

- Slot flap, 230 x 33 mm aperture
- Flush screw fixing to item **C**
- Nameplate slot included
- Fixings included
- Aluminium, powder coated steel or stainless steel

Finish	Cat. No.
Silver anodised aluminium	980.17.129
White powder coated steel	980.17.127
Grey powder coated steel	980.17.125
Satin stainless steel	980.17.130

Order quantity: 1 pc

