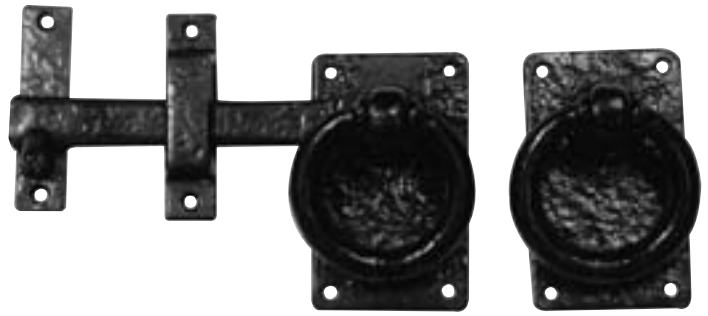


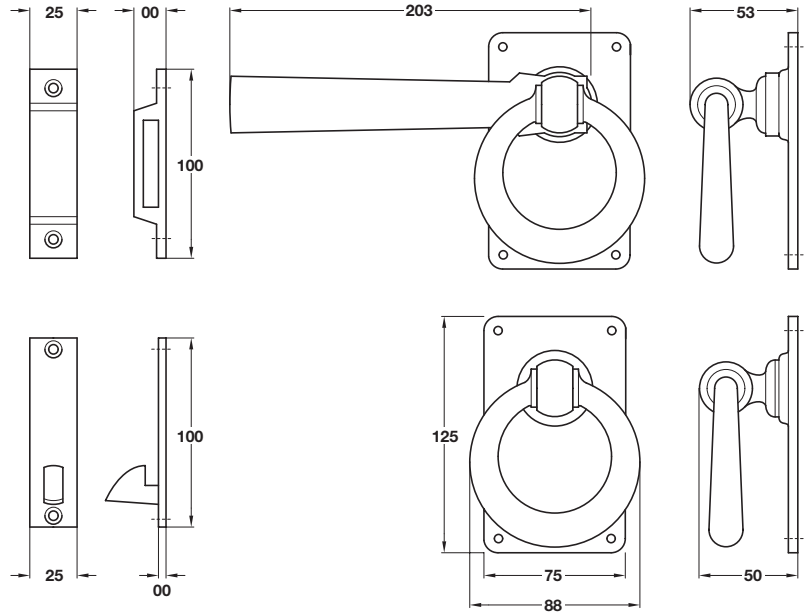
Gate Latches

Ring Gate Latch, Drop Ring Handle

Note: Due to the manufacturing process the sizes given may vary



2



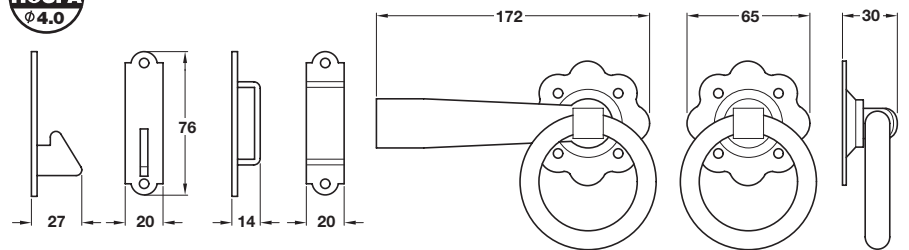
A Ring gate latch

- Fixing screws included
- Black powder coated malleable iron

Cat. No. 986.07.443

Order qty: 1 set

Important: The logo shown indicates the type and size of screw required, which must be ordered separately



B Plain ring handle gate latch, 6"

- Catch and keep included
- Black steel

Cat. No. 911.63.019

Order qty: 1 set

C Plain ring handle with spindle

- 102 x 8 mm spindle included
- Black steel

Cat. No. 911.63.020

Packing: 1 set

