

R Drilling jig (optional)

Aluminium

Cat. No.	943.44.090
----------	------------

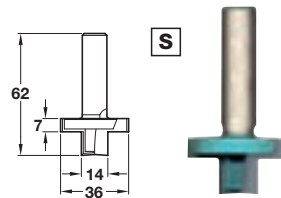
Order qty: 1 pc

S Router bit (optional)

Steel

Cat. No.	943.44.398
----------	------------

Order qty: 1 pc

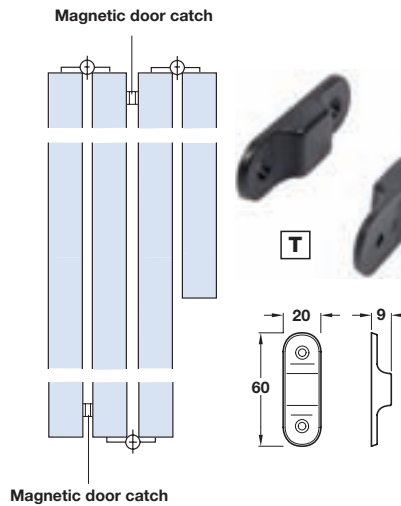


T Magnetic door catch

To act as a hold back catch on hinged doors. Fixings included. Black plastic

Cat. No.	943.44.080
----------	------------

Order qty: 1 pc

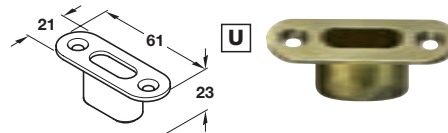


U Box keeper sill protection cup

For use with outward opening drop bolt P, shown on page 178, when used with E3 sill V. Aluminium

Finish	Cat. No.
Satin chrome	943.44.384
Satin brass	943.44.388

Order qty: 1 pc

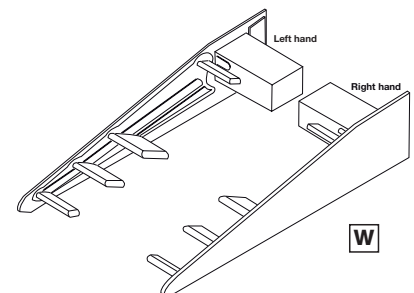
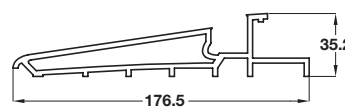


V E3 concealed disabled sill, machined

When this profile is used with a weatherstrip height of less than 15 mm, the opening will meet the disability access requirements (BS 8300:2001). 3.6 m length. Aluminium

Finish	Cat. No.
Dark brown	950.03.101
Anodised aluminium	950.03.109

Order qty: 1 pc (3.6 m length)



W E3 concealed disabled sill end cap

Handed. For use with E3 sill V. Black plastic

Hand	Left	Right
Cat. No.	950.03.190	950.03.191

Order qty: 1 pc

TCH-A1 2008, HUK. Dimensional data not binding. We reserve the right to alter specifications without notice.

