

A Rhodia 3B Silicon, 310 ml tube

For gluing glass to aluminium frame profile

Cat. No. 405.54.020

Order qty: 1 pc



B Knob, Ø 10 mm

ScREW fixing. Matt anodised aluminium with black rubber O-ring

Cat. No. 405.46.910

Order qty: 1 pc

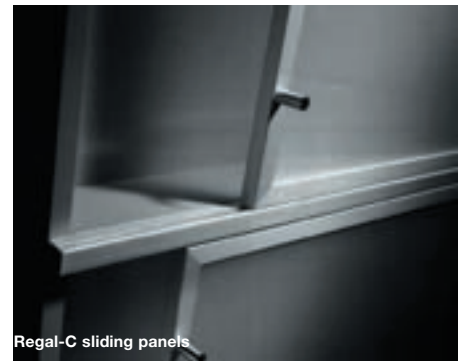
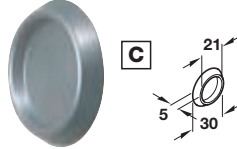


C Finger pull handle

Glue on. Silver anodised aluminium

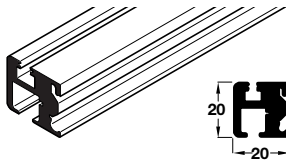
Cat. No. 405.46.900

Order qty: 1 pc

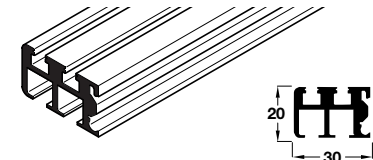


Two alternative methods of fixing single or double combined track/guide rails to carcase front for Regal-C:

Single combined track/guide rail



Double combined track/guide rail



Method A

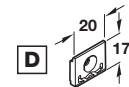
Use fixing clips and securing clips included with fitting sets. Mounting jig included with each Regal-C fitting set ensures fixing clips are positioned uniformly:

D Fixing clip

Grey plastic

Cat. No. 405.67.090

Order qty: 1 pc



E Securing clip with bolt

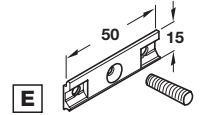
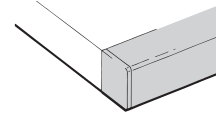
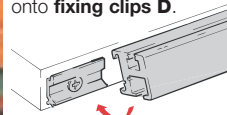
Prevents clip on rails from sliding sideways. Order separately for mounting lateral frame profiles **M** or **N**, shown on page 94. Galvanized steel.

Cat. No. 405.67.091

Order qty: 1 pc



Fixing clips **D** positioned using **mounting jig** included with each Regal-C fitting set. **Track/guide rails** clip onto **fixing clips D**.



Method B

Fixing track/guide rail direct to carcase using Minifix connector bolt i.e. no fixing clips.

F Minifix connecting bolt

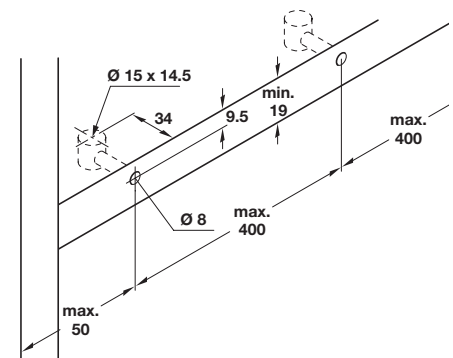
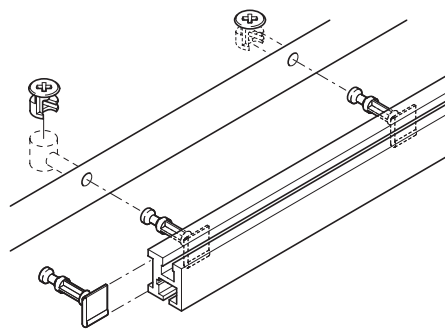
Suitable for use with Minifix 15 housings shown in **Section 2**, page 41

Drilling distance = 34 mm

Bright zinc alloy

Cat. No. 405.45.000

Order qty: 1 pc



TCH-AI 2008, HUK. Dimensional data not binding. We reserve the right to alter specifications without notice.

• For ancillary door hardware i.e. locks and door pulls etc. refer to pages 83-85