

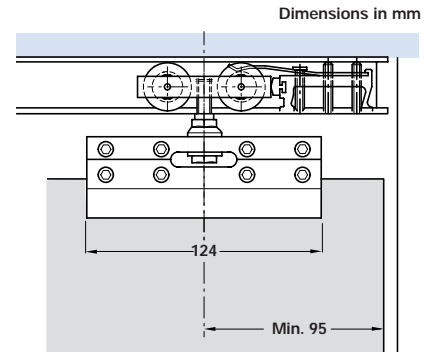
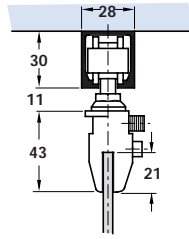
Application:

Version of Junior 40 to suit **top hung** sliding **frameless** glass panels. Residential or light commercial use. Bottom control for each panel is provided by **one** surface fixed guide mounted at leading edge of panel. Clear threshold provided as **no** floor/base channel required. Each panel supported by two clamping shoes.

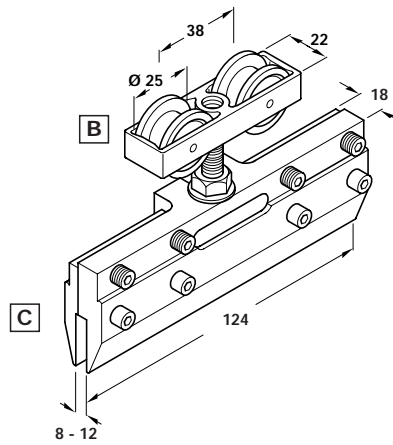
Ideal for use with reception counter applications

Range:

Max. glass panel weight **40 kg**
Glass thickness **normally 10 or 12 mm**
Max. glass panel height **normally 2 m**



- **B Trolley hanger**
 - With sleeve bearing mounted, high-grade polyamide tandem rollers
 - Complete with fastening materials
- **C Clamping shoe set**
 - Comprises;
 - 2 adjustable clamps for 8-12 mm glass
 - 2 M8 pendant bolts with locknuts
 - Vertically adjustable
 - Bright aluminium



Discontinued ●
Discontinued when stock = 0 +

B Trolley hanger

Cat. No. **940.40.012**
Packing: 2 pcs **Re-instated**

C Clamping shoe set

Cat. No. ● **940.40.025**
Packing: 2 sets