

Bolts

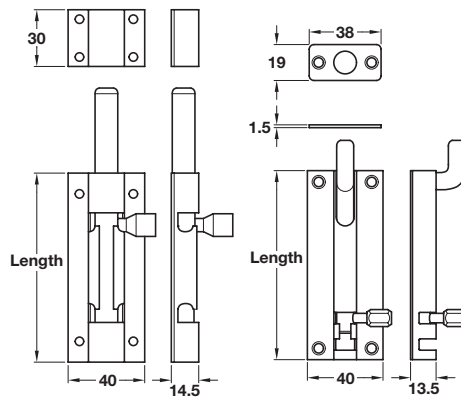
Barrel Bolts

A Barrel bolt

- Straight or cranked
- Face fixing
- Flat shoot plate or staple included
- Fixings included
- Stainless steel

Length x width	Straight	Cranked
Satin stainless steel		
80 x 40 mm	911.62.213	911.62.219
100 x 40 mm	911.62.215	911.62.221
150 x 40 mm	911.62.217	-
Polished stainless steel		
80 x 40 mm	911.62.214	911.62.220
100 x 40 mm	911.62.216	911.62.222
150 x 40 mm	911.62.218	-

Order qty: 1 pc



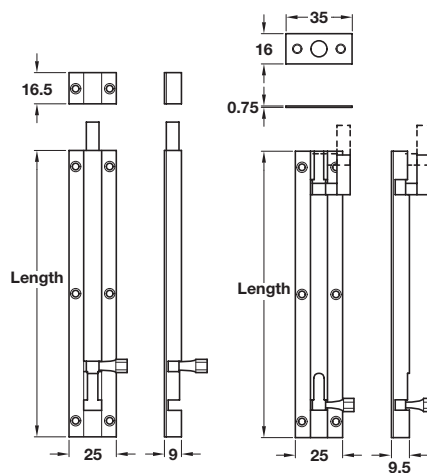
B Barrel bolt

- Straight or cranked
- Face fixing
- Flat shoot plate or staple included
- Fixings included
- Brass

Length x width	Straight	Cranked
Polished brass		
50 x 25 mm	911.62.900	-
64 x 25 mm	911.62.902	-
76 x 25 mm	911.62.904	911.62.910
102 x 25 mm	911.62.906	911.62.912
152 x 25 mm	911.62.908	-
Polished chrome		
50 x 25 mm	911.62.901	-
64 x 25 mm	911.62.903	-
76 x 25 mm	911.62.905	911.62.911
102 x 25 mm	911.62.907	911.62.913
152 x 25 mm	911.62.909	-

Order qty: 1 pc

Item B
Catalogue shows... '911.62.900'
Correct No. is 911.62.909

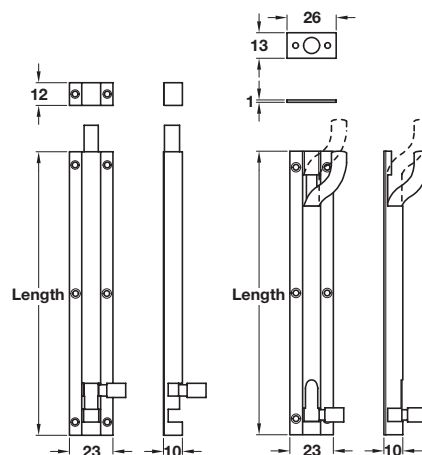


C Barrel bolt

- Straight or cranked
- Face fixing
- Flat shoot plate or staple included
- Fixings included
- Satin anodised aluminium

Length x width	Straight	Cranked
50 x 23 mm	911.62.231	-
64 x 23 mm	911.62.232	-
75 x 23 mm	911.62.233	911.62.236
102 x 23 mm	911.62.234	911.62.237
152 x 23 mm	911.62.235	911.62.238

Order qty: 1 pc



TCH-FF 2010, HUK. Dimensional data not binding. We reserve the right to alter specifications without notice.