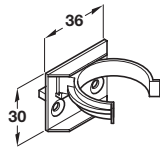


Plinth clip and bracket

- Screw fixing
- Plastic

Finish	Cat. No.
Black	637.96.371

Order qty: Multiples of 50 pcs

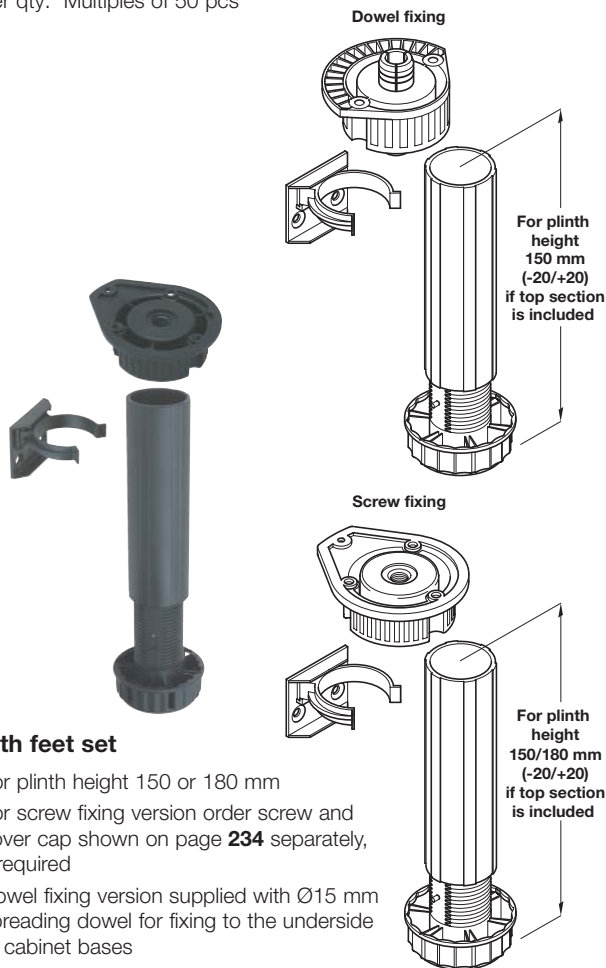


Plinth clip and bracket

- Press and screw fixing
- Plastic

Finish	Cat. No.
Black	637.96.372

Order qty: Multiples of 50 pcs

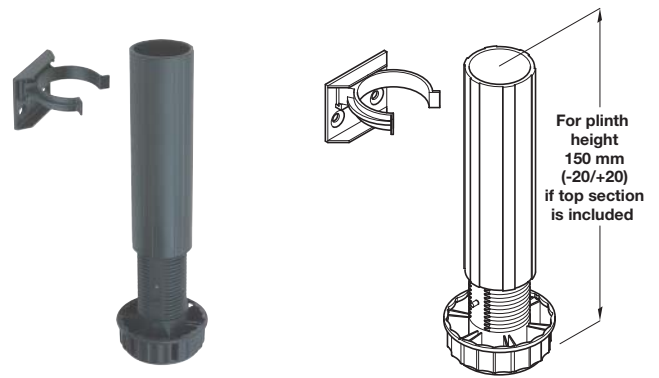


Plinth foot set

- For plinth height 150 or 180 mm
- For screw fixing version order screw and cover cap shown on page 234 separately, if required
- Dowel fixing version supplied with Ø15 mm spreading dowel for fixing to the underside of cabinet bases
- Black plastic

Item	Screw fixing	Dowel fixing
Top section	4 pcs	-
Top section	-	4 pcs
Foot and shaft	4 pcs	4 pcs
Plinth clip and bracket	2 pcs	2 pcs
For 150 mm plinth height	637.96.303	637.96.313
For 180 mm plinth height	637.96.304*	

Order qty: Multiples of 35/30* sets

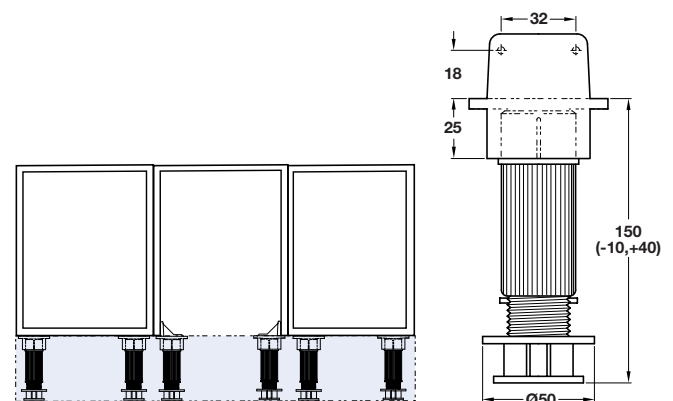


Plinth feet set, leg set only

- For plinth height 150 mm
- Black plastic
- Order top section shown on page 234 separately, as required

Item	No. of items included
Foot and shaft	4 pcs
Plinth clip and bracket	2 pcs
Cat. No.	637.96.323

Order qty: Multiples of 50 sets



Adjustable plinth set

- Consists of:
 - 4x foot and shaft section
 - 4x plinth bracket
- For use where cabinets have no bases
- Black plastic

Finish	Cat. No.
Black plastic	637.97.300

Order qty: Multiples of 30 sets

TCH-FF 2010, HUK. Dimensional data not binding. We reserve the right to alter specifications without notice.