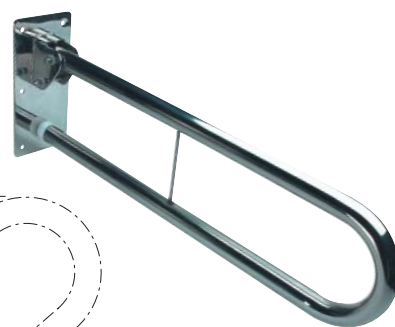
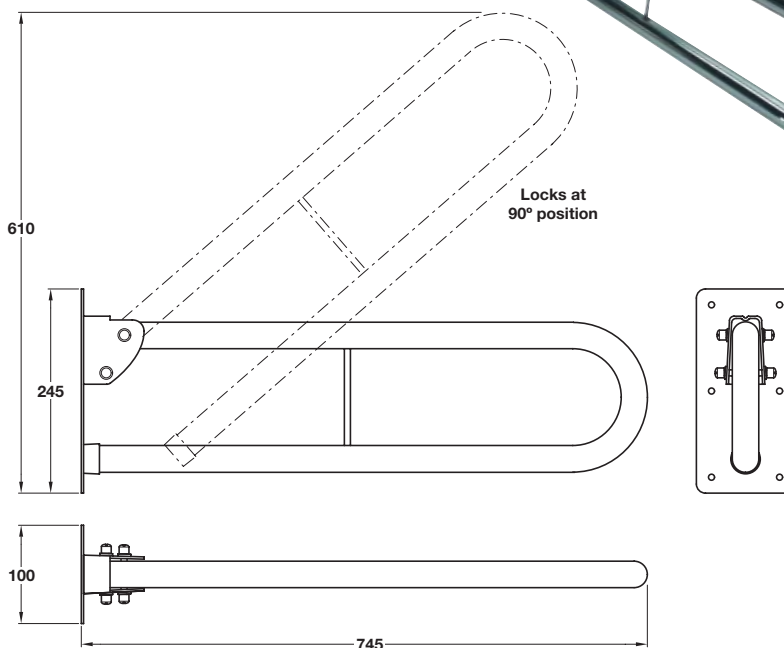




Anti-bacterial finish available.
See pages 93 and 94 for details



Hinged rail



Item A.
Catalogue shows...
'986.06.140'
Correct No. is **980.06.140**

A Hinged support rail

- Fixings not included (subject to structure materials)
- Locks in vertical position
- Grade 304 stainless steel or powder coated mild steel

Finish	Cat. No.
Polished stainless steel	980.06.040
Satin stainless steel	980.06.140
White epoxy powder coated	980.06.740
Blue epoxy powder coated	980.06.840

Order qty: 1 pc

5

Item B.
Catalogue shows 600, 90, 120 mm
Correct dimensions are
615, 90/83, 117/140* mm*

B Straight grab rail

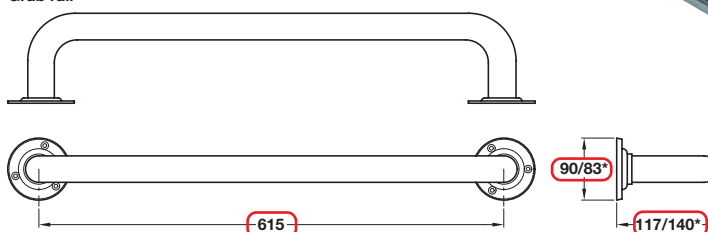
- Face fixing
- Ø 35 mm tube
- Fixings not included (subject to structure materials)
- Grade 304 stainless steel or powder coated mild steel
- Other lengths are available, subject to quantity

Finish	Cat. No.
Polished stainless steel	980.06.000
Satin stainless steel	980.06.100
White epoxy powder coated	980.06.700*
Blue epoxy powder coated	980.06.800*

Order qty: 1 pc



Grab rail



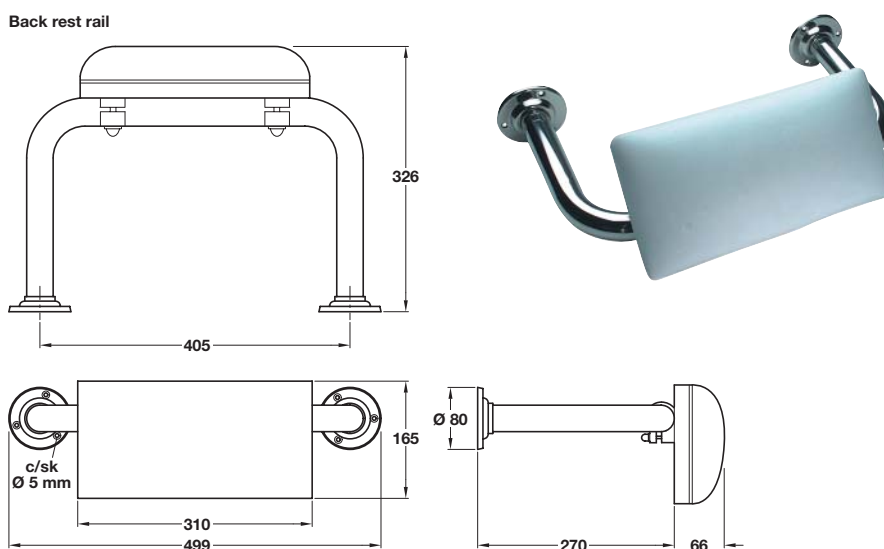
Back rest rail

C Back rest rail

- Face fixing
- Ø 35 mm tube
- Fixings not included (subject to structure materials)
- Grade 304 stainless steel or powder coated mild steel

Finish	Cat. No.
Polished stainless steel	980.06.050
Satin stainless steel	980.06.150
White epoxy powder coated	980.06.750
Blue epoxy powder coated	980.06.850

Order qty: 1 pc



TCH-A1 2008, HUK. Dimensional data not binding. We reserve the right to alter specifications without notice.