

# Stainless Steel Butt Hinges

## Phoenix Range - Loadmaster

Hinge **A** has obtained Certifire approval.  
Maintenance free, 25 year performance guarantee.  
Fixings for timber included.



Refer to pages 2-3 for information on BS EN 1935, hinge grades and classification

3

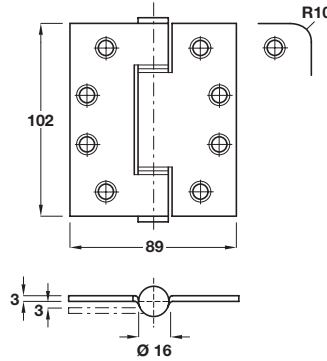
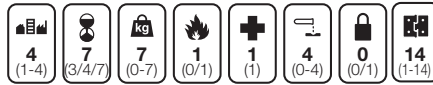
### A Loadmaster stainless steel butt hinge

- ANSI hole pattern (template drilled)
- Grade 14 BS EN 1935
- Maximum adjusted door weight **160 kg**
- Minimum door thickness **44 mm**
- Square and radius corners
- Maintenance free oilite bush bearings
- **25** year performance guarantee
- Certifire approved; certificate no. CF351 30 mins
- Ø 5.5 x 30 mm wood screws included
- Grade 316 stainless steel

Length x width	102 x 89 mm	
Finish	Satin	Polished
Square corners	926.91.120	926.91.121
Radius corners	926.91.300	926.91.301

Order qty: 1 pc

BS EN 1935



Satin stainless steel finish shown  
Square corners

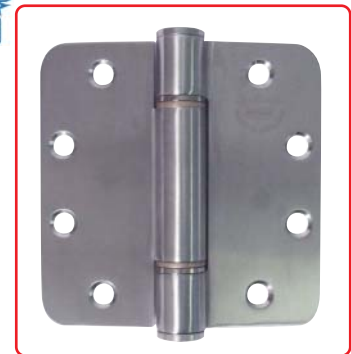
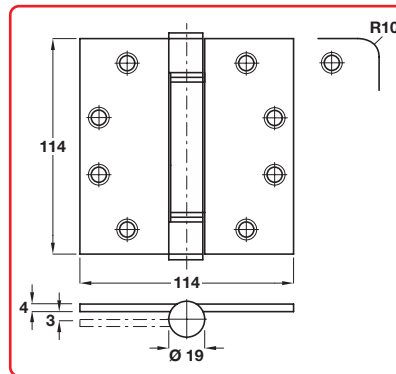
### B Loadmaster stainless steel butt hinge

- ANSI hole pattern (template drilled)
- Maximum adjusted door weight **200 kg**
- Minimum door thickness **44 mm**
- Square and radius corners
- Maintenance free oilite bush bearings
- **25** year performance guarantee
- Ø 5.5 x 30 mm wood screws included
- Grade 316 stainless steel

Length x width	114 x 114 mm	
Finish	Satin	Polished
Square corners	926.91.130	926.91.131
Radius corners	926.91.310	926.91.311

Order qty: 1 pc

**Item B.**  
Photo and illustration amended to show different barrel configuration



Satin stainless steel finish shown  
Radius corners

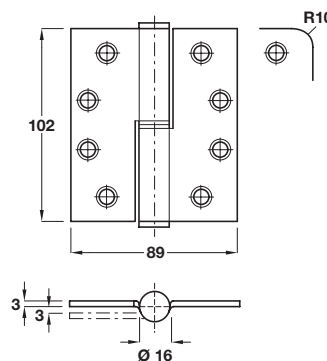
**Item B.**  
Catalogue shows...  
'Square corners'  
Correct description is  
'Radius corners'

### C Loadmaster stainless steel lift-off hinge

- ANSI hole pattern (template drilled)
- Maximum adjusted door weight **120 kg**
- Minimum door thickness **44 mm**
- Square and radius corners
- Maintenance free oilite bush bearings
- **25** year performance guarantee
- Ø 5.5 x 30 mm wood screws included
- Grade 316 stainless steel

Length x width	102 x 89 mm	
Square corners	Satin	Polished
Clockwise closing	926.91.320	926.91.321
Anti-clockwise cl.	926.91.322	926.91.323
Radius corners	Satin	Polished
Clockwise closing	926.91.330	926.91.331
Anti-clockwise cl.	926.91.332	926.91.333

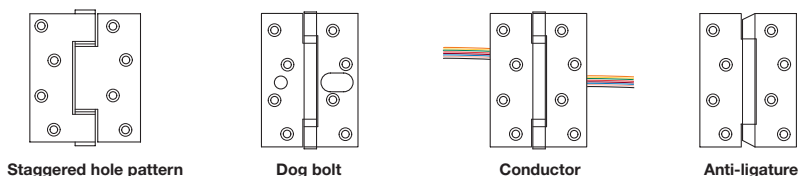
Order qty: 1 pc



Satin stainless steel finish shown  
Anti-clockwise closing  
Square corners

#### Variants available to order, subject to quantity:

- Staggered hole pattern
  - Dog bolt (fixed pin only)
  - Conductor (fixed pin only)
  - Anti-ligature
- Also available in mild steel.



TCH-A1 2008, HUK. Dimensional data not binding. We reserve the right to alter specifications without notice.