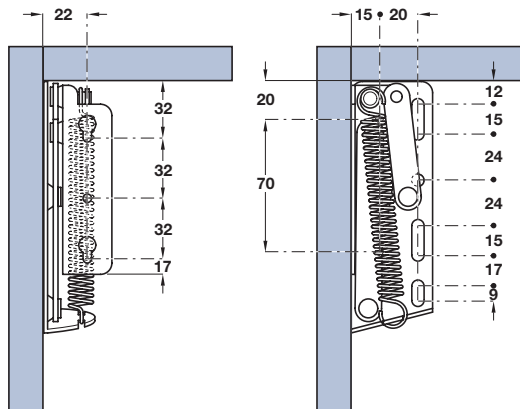


### B Swing up flap hinges

- For top boxes in tall cabinets
- Available in pcs, either right hand sprung or unsprung hinge or left hand adjustable sprung allowing for varying door panel weights
- Zinc-plated steel
- For other types of lid stays refer to **Section 3**

Type	Cat. No.
RH sprung	372.70.901
RH unsprung	372.70.902
LH adjustable sprung	372.70.903

Order qty: 1 pc



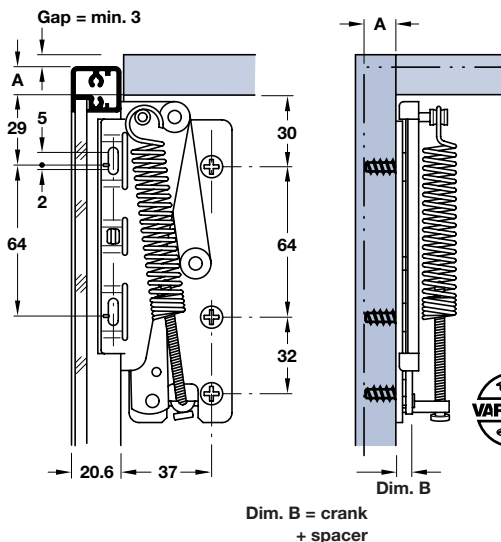
Dimensions in mm						
Overlay	12	13	14	15	16	17
Crank	0.5	1.5	2.5	0.5	1.5	2.5
Spacer plate	1	1	1	4	4	4

### C Swing up flap hinges

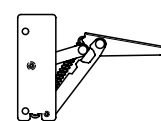
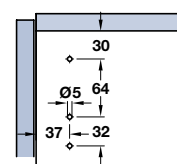
- For top boxes or wall cabinets with **aluminium framed doors**
- Opening angle **75°** or **90°**
- Adjustable spring force up to **200N**
- Consists of:
  - 1 pair hinges
  - 2 x 1 mm spacer plates fitted on hinge
  - 2 x 4 mm spacer plates packed loose
- Grey plastic spacer plate
- Nickel-plated steel hinge
- For other types of lid stays refer to **Section 3**

Mounting bracket	Overlay A	Cat. No.
0.5 mm cranked	12 or 15 mm	372.47.700
1.5 mm cranked	13 or 16 mm	372.47.701
2.5 mm cranked	14 or 17 mm	372.47.702

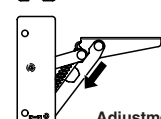
Order qty: 1 set



Drilling diagram carcass side



Opening angle  
**75°**



Opening angle  
**90°**

Adjustment of stop

We reserve the right to alter specifications without notice.

Dimensions in mm