

Order Online at [www.hafele.co.uk](http://www.hafele.co.uk)

Dimensions in mm



## Regal C sliding panels

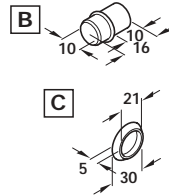
4 EKU Regal Glass Cupboard Door Fittings

- A Rhodia 3B Silicon**
- For gluing glass to aluminium frame profile



<b>A Rhodia 3B Silicon</b>	
Size	Cat. No.
310 ml	405.54.020
Packing: 1 PC	

- B Knob, Ø 10 mm**
- M4 fixings included
- Matt anodised aluminium with black rubber O-ring



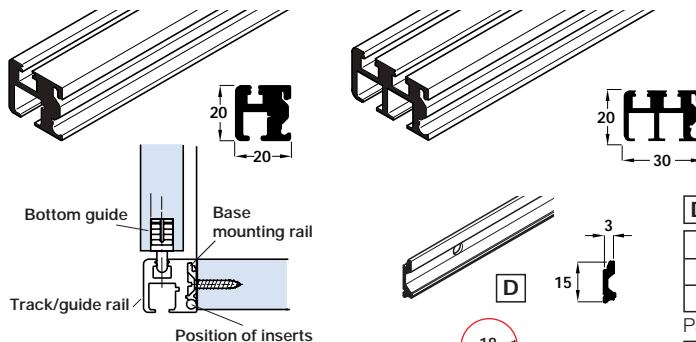
<b>B Knob, Ø 10 mm</b>	
Cat. No.	405.46.910
Packing: 1 pc	

<b>C Finger pull handle</b>	
Cat. No.	405.46.900
Packing: 1 pc	

- C Finger pull handle**
- Glue on
- Silver anodised aluminium
- Two alternative methods** of fixing single or double combined track/guide rails to carcass front for Regal C:

Single combined track/guide rail

Double combined track/guide rail



- Method A**
- Using base mounting rail with mounting rail inserts and threaded end inserts:

- D Base mounting rail**
- Countersunk drilled holes
- Bright aluminium

<b>D Base mounting rail</b>	
Length	Cat. No.
2.5 m	+ <del>405.62.025</del>
3.5 m	+ <del>405.62.035</del>
Packing: 1 length	

- E Spare mounting rail insert**
- White plastic

<b>E Spare mounting rail insert</b>	
Cat. No.	405.67.050
Packing: 100 pcs	

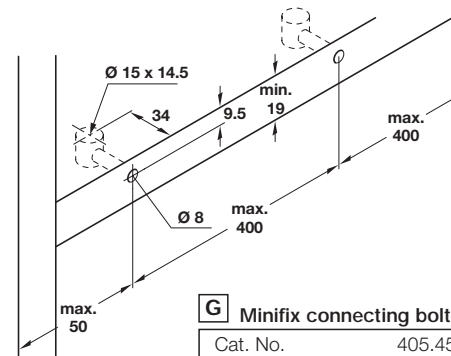
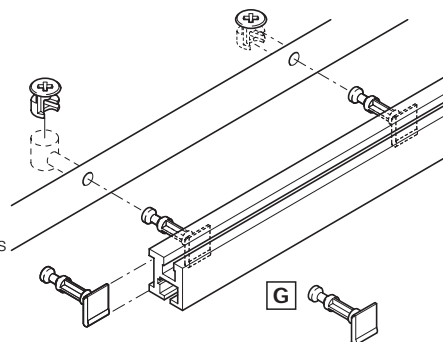
- F Spare threaded end insert**
- Galvanized steel

<b>F Spare threaded end insert</b>	
Cat. No.	405.67.040
Packing: 100 pcs	

**Item E.**  
Catalogue shows 15 mm  
Correct dimension is  
**18 mm**

Groove accepts mounting rail inserts at 400 mm centres. Threaded end inserts sited at ends of groove to prevent lateral movement between both rails. Both inserts sited in same groove.

- Method B**
- Fixing track/guide rail direct to carcass using Minifix connector bolt i.e no base mounting rail:



- G Minifix connecting bolt**
- Suitable for use with Minifix 15 housings shown in Section 2, pages 28-29
- Drilling distance = 34 mm
- Bright zinc alloy

<b>G Minifix connecting bolt</b>	
Cat. No.	405.45.000
Packing: 1 pc	

- For ancillary door hardware i.e. locks and door pulls see page 97