



Blue Star Range of Architectural Ironmongery Mechanical Digital Locks

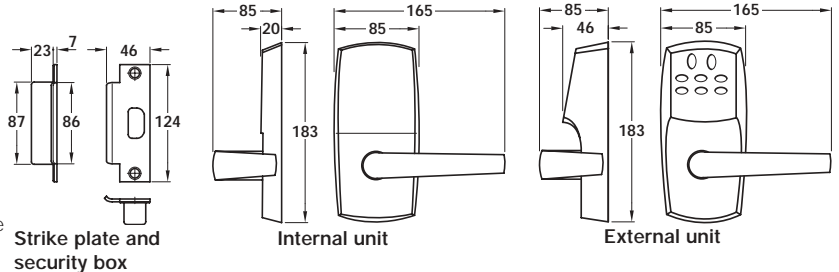
HÄFELE

Architectural Ironmongery Sales and Technical Support - Tel: 01788 548855, Fax: 01788 548850, E-Mail: ai@hafele.co.uk

Dimensions in mm



- A Cobra mechanical digital lock**
- For use in heavy duty and high traffic applications
- 16 mm deadlatch
- Battery powered programmable locking system
- LED indicators provide access acknowledgement
- For both internal or external use - unhandled, site reversible
- Door thickness from 38 - 51 mm, backset 70 mm
- 4 x AA batteries supplied - battery life over 80,000 cycles (2-3 years typical)
- 100 user code capacity, 3 to 8 digits
- Curved lever design for easier access / egress
- 'Free Exit' to inside unit allows escape at all times
- Key over-ride option on external side
- Vandlgard™ clutch lever facility
- Passage set facility
- 'One Use' expiry code for contractor access
- 'Freeze/Lockout' function
- B 7 pin interchangeable core best cylinder**
- For use with Cobra mechanical digital lock
- Concealed core cylinder for emergency key over-ride



A Cobra mechanical digital lock

Finish	Cat. No.
Satin chrome	912.04.000

Packing: 1 pc

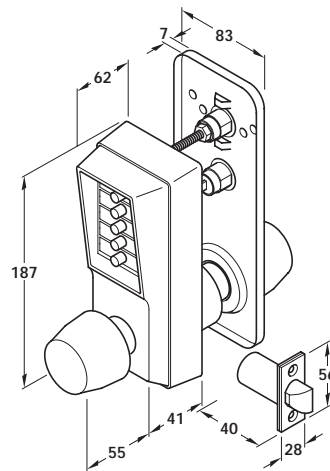
B 7 pin interchangeable core best cylinder

Finish	Cat. No.
Satin chrome	916.93.000

Packing: 1 pc



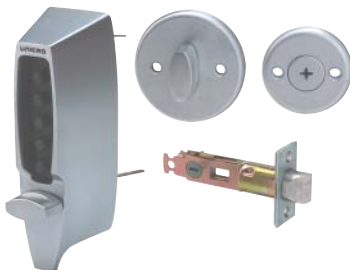
- C Mechanical digital lock, Unican 1000**
- Heavy duty
- 16 mm mortice deadlatch
- Operation:
- Outside - by knob on entry of correct sequence of code
- Inside - by knob, free exit
- For further details refer to the Complete Häfele Architectural Ironmongery catalogue



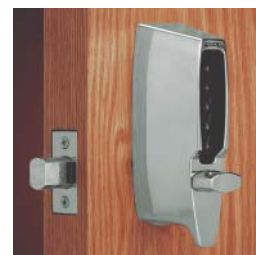
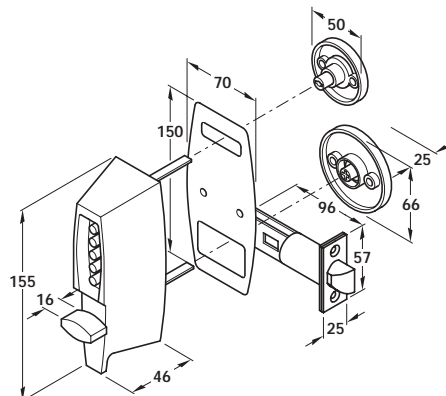
C Mechanical digital lock, Unican 1000

Finish	Cat. No.
Satin chrome	912.02.022

Packing: 1 set



- D Mechanical digital lock, Unican 7000**
- Medium duty
- 13 mm mortice deadlatch
- Operation:
- Outside - by thumbturn on entry of correct sequence of code
- Inside - by thumbturn, free exit
- For further details refer to the Complete Häfele Architectural Ironmongery catalogue



D Mechanical digital lock, Unican 7000

Finish	Cat. No.
Satin chrome	912.02.023

Packing: 1 set

We reserve the right to alter specifications without notice.