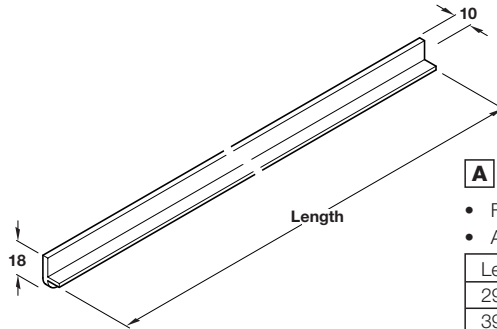


1



Anodised aluminium finish



Discontinued ●
Discontinued when stock = 0 +

A Capping

- For the bottom of doors
- Anodised aluminium

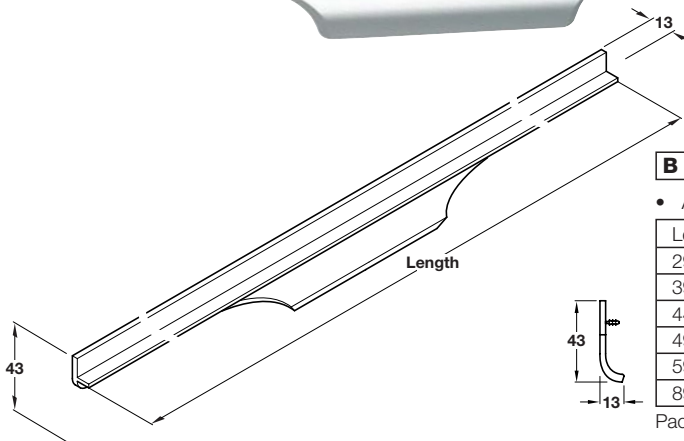
Length	Cat. No.
297 mm	● 126.30.901
397 mm	● 126.30.903
447 mm	● 126.30.905
497 mm	● 126.30.907
597 mm	● 126.30.909
897 mm	● 126.30.911



Packing: 1 pc



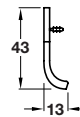
Anodised aluminium finish



B Profile pull

- Anodised aluminium

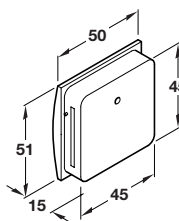
Length	Cat. No.
297 mm	● 126.31.901
397 mm	● 126.31.903
447 mm	● 126.31.905
497 mm	● 126.31.907
597 mm	● 126.31.909
897 mm	● 126.31.911



Packing: 1 pc



Matt nickel finish



C Inset handle

- Zinc alloy

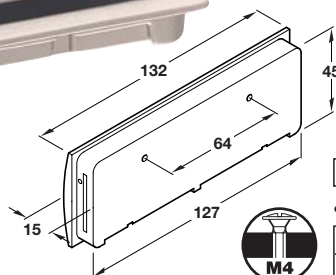


Finish	Cat. No.
Matt nickel	+ 151.24.600

Packing: 1 pc



Matt nickel finish



D Inset handle

- Zinc alloy



Finish	Cat. No.
Matt nickel	● 151.28.600

Packing: 1 pc